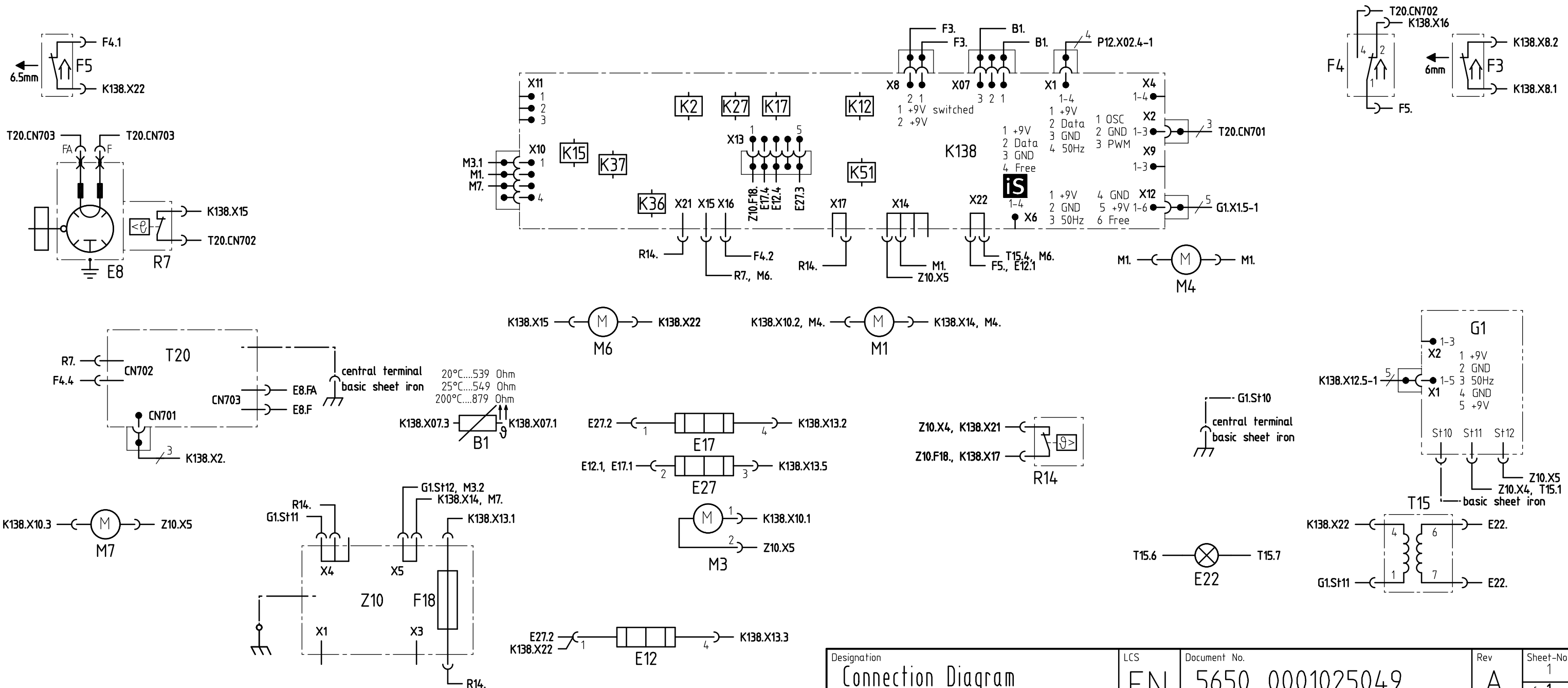
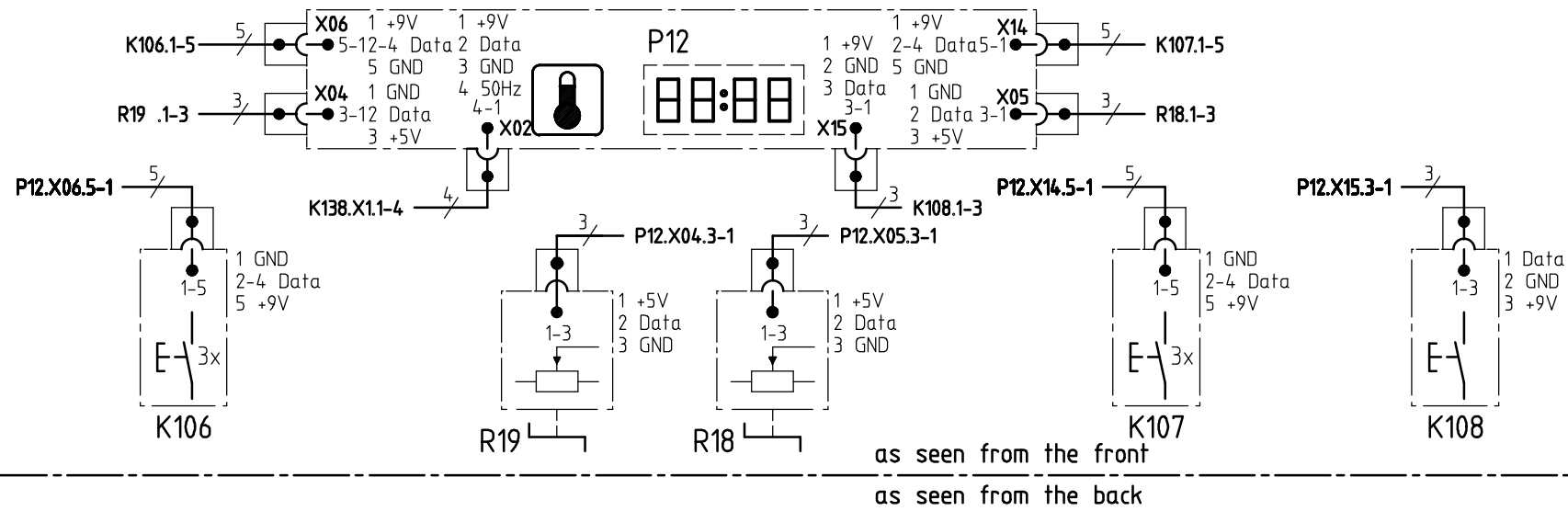
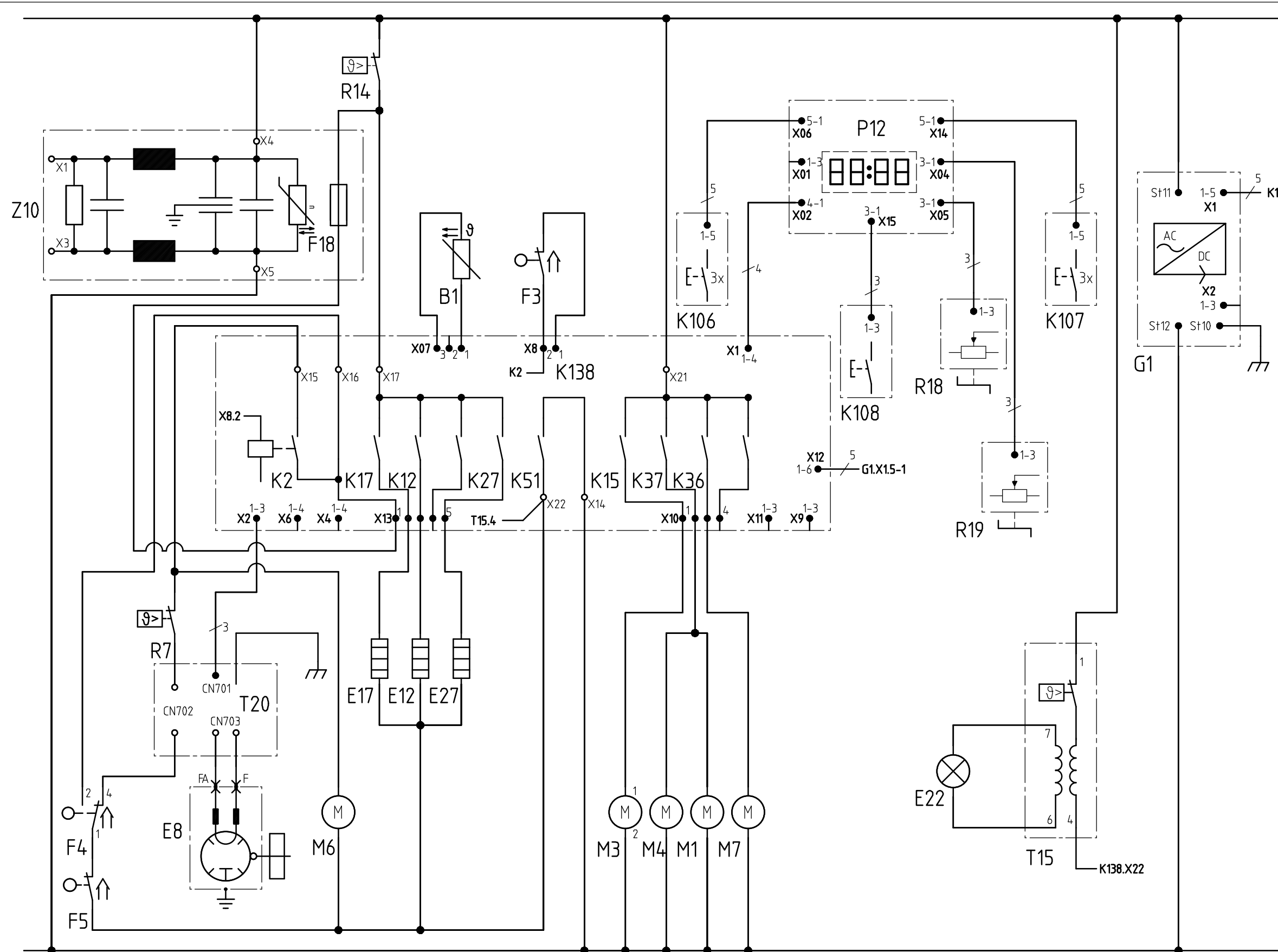


The reproduction, transmission or use of this document or its contents is not permitted without express written authority. Offenders will be liable for damages. All rights including rights created by patent grant or registration of a utility model or design are reserved. Copyright reserved.



Designation HBC84K553-ICc5	LCS EN	Document No.	Rev	Sheet-No.
		5650 0001025049	A	1 of 1
		Material No. 9000494992		

The reproduction, transmission or use of this document or its contents is not permitted without express written authority. Offenders will be liable for damages. All rights including rights created by patent grant or registration of a utility model or design are reserved. Copyright reserved.



REF	Components	Path
B1	Oven temperature sensor PT500	12
E8	Magnetron	6
E12	Bottom heat 1500W /230V	11
E17	Grill heating element 1100W /230V	10
E22	Oven light 20W	24
E27	Grill heating element 1400W /230V	12
F3	Safety switch *	14
F4	Safety switch *	3
F5	Safety switch *	3
F18	Fuse 8A	9
G1	Switched mode power supply	28-31
K2	Power relay	8
K12	Power relay	11
K15	Relay	16
K17	Power relay	10
K27	Power relay	13
K36	Relay	18
K37	Relay	17
K51	Power relay	14
K106	Switch board	18
K107	Switch board	27
K108	Switch board	22
K138	Control pc board	6-31
M1	Cooling blower motor	18
M3	Circulating air motor	16
M4	Vapour fan	17
M6	Antenna motor	9
M7	Magnetron fan	19
P12	Input indicator pcb	19-24
R7	Temperature limiter	5
R14	Temperature limiter	10
R18	Set point generator	24
R19	Selector switch	25
T15	Transformer	26-27
T20	Inverter	4-7
X6	Service interface	8
Z10	Interference suppression filters	2-9

1 2 3 4 5 6 7 8 9 10 11 12 13 14 15 16 17 18 19 20 21 22 23 24 25 26 27 28 29 30 31 32

*) safety switches are drawn operated (by closed door)

Designation Circuit Diagram HBC84Kxxx-ICc5	LCS EN	Document No. 5650 0001025042	Rev A	Sheet-No. 1 of 1
		Material No. 9000494991		